

FOR LEASE/SALE

164 Bay Lyn Dr, Lynden, WA



Commercial Condo Unit in Prime North County Location

**Suite A : 2,790 SF For Lease/Sale | Suite E: 2,197 For Sale
Suite B 2,197 SF For Lease/Sale**

- 2,197 SF of open space including a 550 SF mezzanine.
- 17' clear height, 14'x14' roll-up door and man door.
- Includes gas heating unit and bathroom.
- Prime north county location just off the Guide Meridian in Lynden, easy access for Canadian Business and zoned regional commercial services.

CBX Property #261566  Lease Listing #20134535 Sale Listing #20134937



Sales, Leasing, Management
Office, Retail and Industrial Properties

114 W. Magnolia Street, Suite 302, Bellingham, WA 98225

For information contact:

2017/04

Scott Walker

(360) 220-0370

scott@pacificcontinentalrealty.com
jim@pacificcontinentalrealty.com

Premier Storage Condominium

164 Bay Lyn Dr, Lynden WA



Sales, Leasing, Management
Office, Retail and Industrial Properties

114 W. Magnolia Street, Suite 302, Bellingham, WA 98225

For information contact:

Scott Walker

(360) 220-0370

scott@pacificcontinentalrealty.com

jim@pacificcontinentalrealty.com

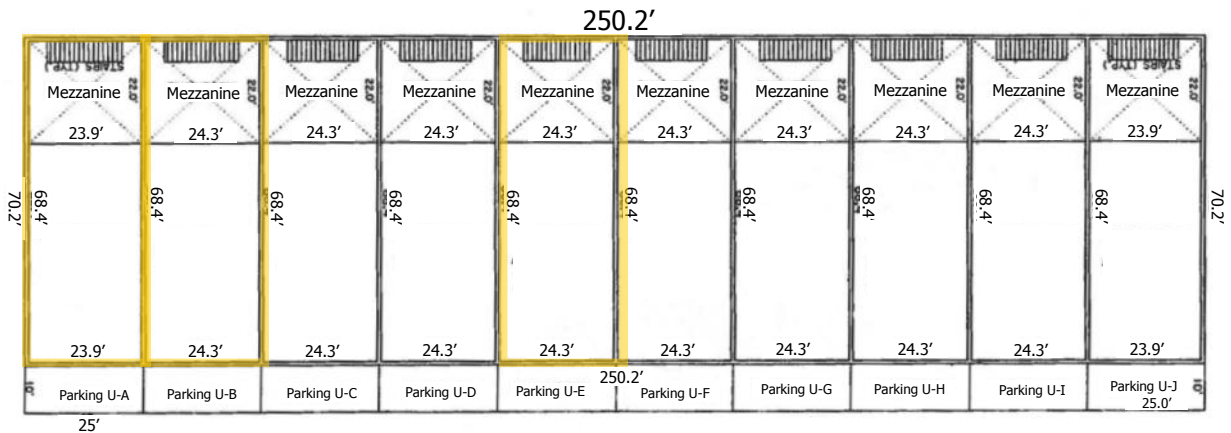
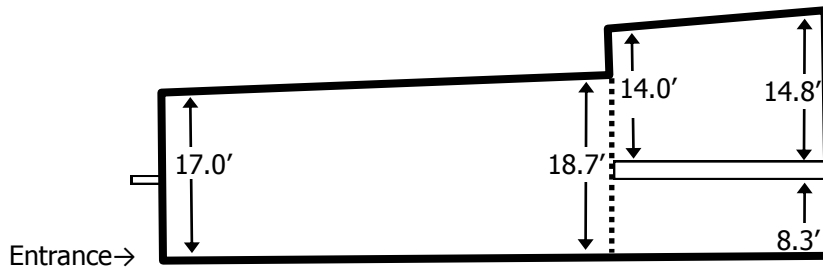
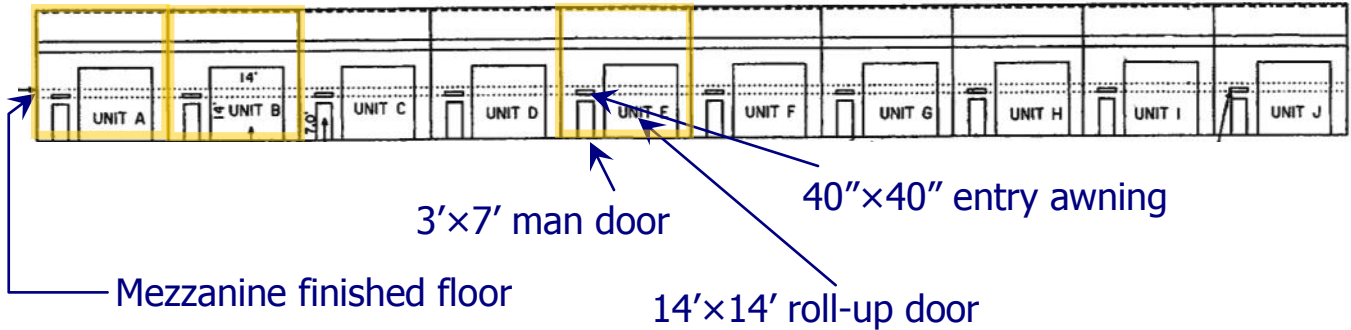
Premier Storage Condominium

164 Bay Lyn Dr, Lynden WA

Suite A
2,790 SF

Suite B
2,197 SF

Suite E
2,197 SF



Sales, Leasing, Management
Office, Retail and Industrial Properties

114 W. Magnolia Street, Suite 302, Bellingham, WA 98225

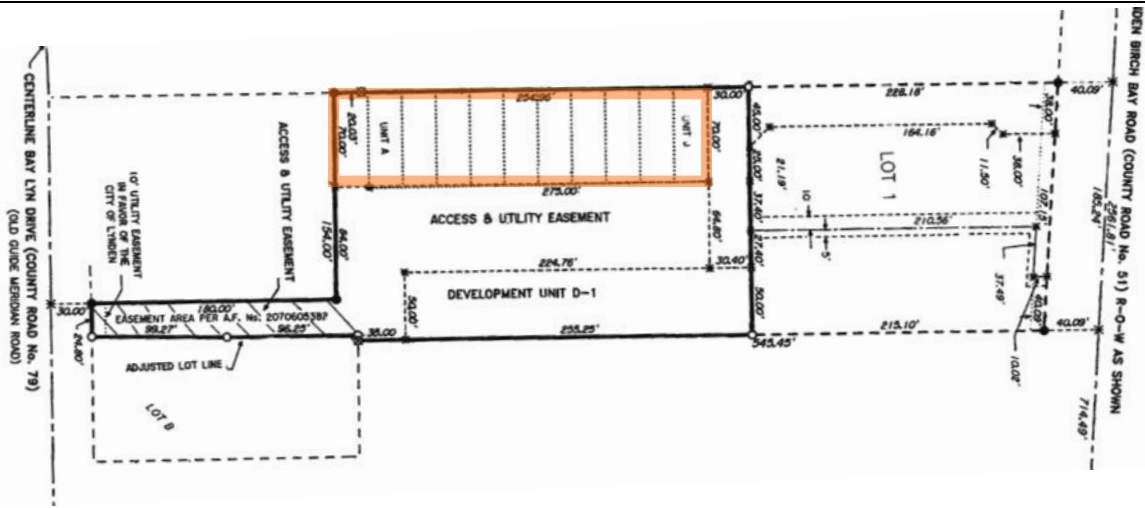
For information contact:

Scott Walker

(360) 220-0370

scott@pacificcontinentalrealty.com

jim@pacificcontinentalrealty.com



Pacific Continental Realty LLC
 Sales, Leasing, Management
 Office, Retail and Industrial Properties
 114 W. Magnolia Street, Suite 302, Bellingham, WA 98225

For information contact:

Scott Walker

(360) 220-0370
 scott@pacificcontinentalrealty.com
 jim@pacificcontinentalrealty.com